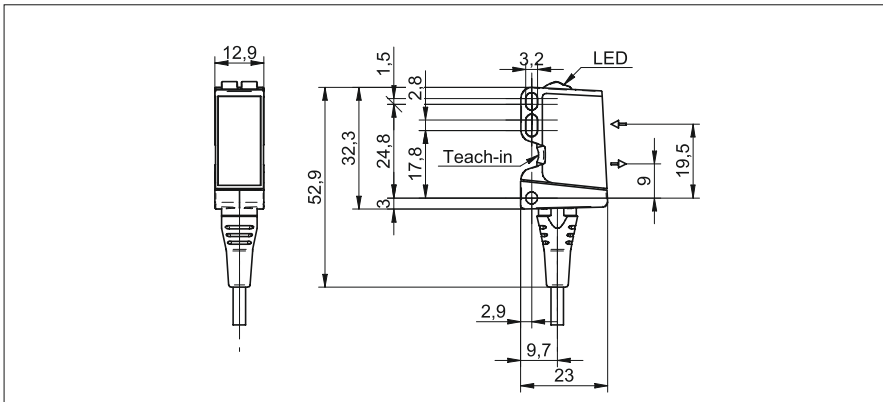


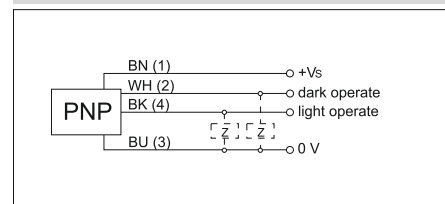
**dimension drawing**



**general data**

type	background suppression
light source	pulsed red LED
sensing distance $T_w$	30 ... 300 mm
sensing range $T_b$	15 ... 300 mm
power on indication	LED green
light indicator	LED yellow
sensing distance adjustment	qTeach / 1-Step Teach-in
wave length	630 nm
suppression of reciprocal influence	yes
alignment optical axis	< 3°

**connection diagram**



**electrical data**

response time / release time	< 1 ms
voltage supply range +Vs	10 ... 30 VDC
current consumption max. (no load)	45 mA
current consumption typ.	30 mA
voltage drop $V_d$	< 3 VDC
output function	light / dark operate
output circuit	PNP complementary
output current	< 100 mA
short circuit protection	yes
reverse polarity protection	yes

**mechanical data**

width / diameter	12,9 mm
height / length	32,3 mm
depth	23 mm
type	rectangular
housing material	plastic (ASA, PMMA)
front (optics)	PMMA
connection types	cable 4 pin, 2 m

**ambient conditions**

operating temperature	-25 ... +60 °C
protection class	IP 67